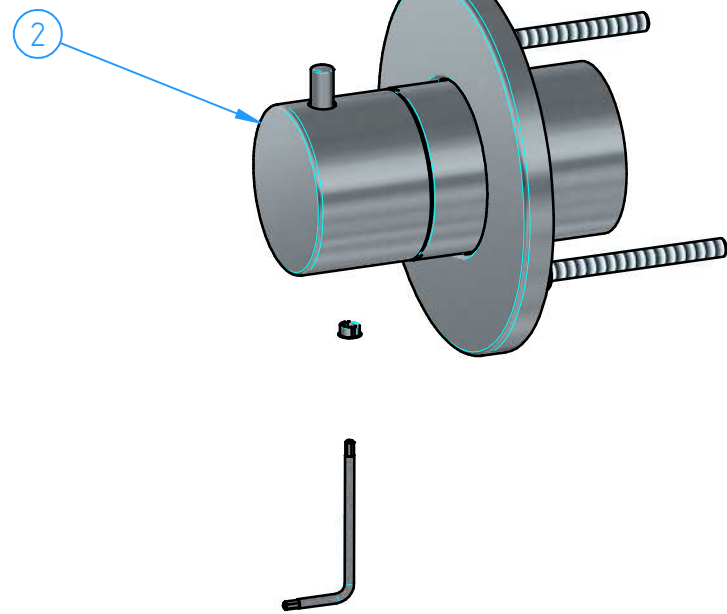
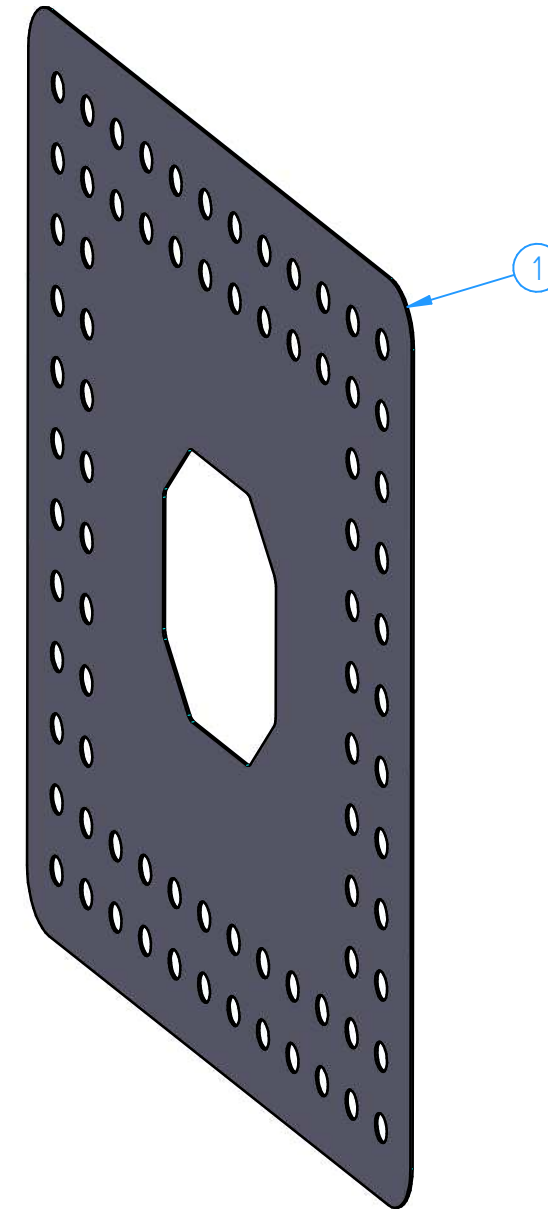
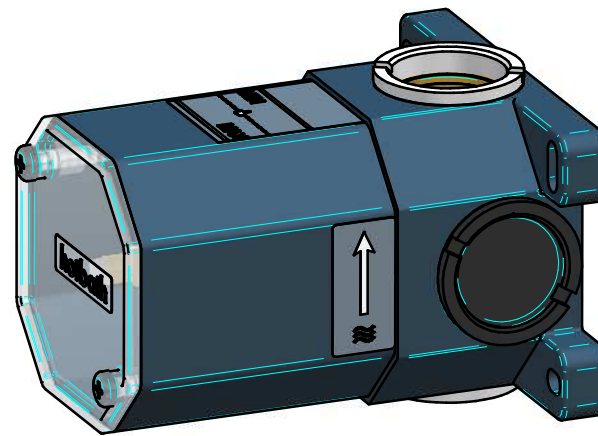


B010EXT



HB010

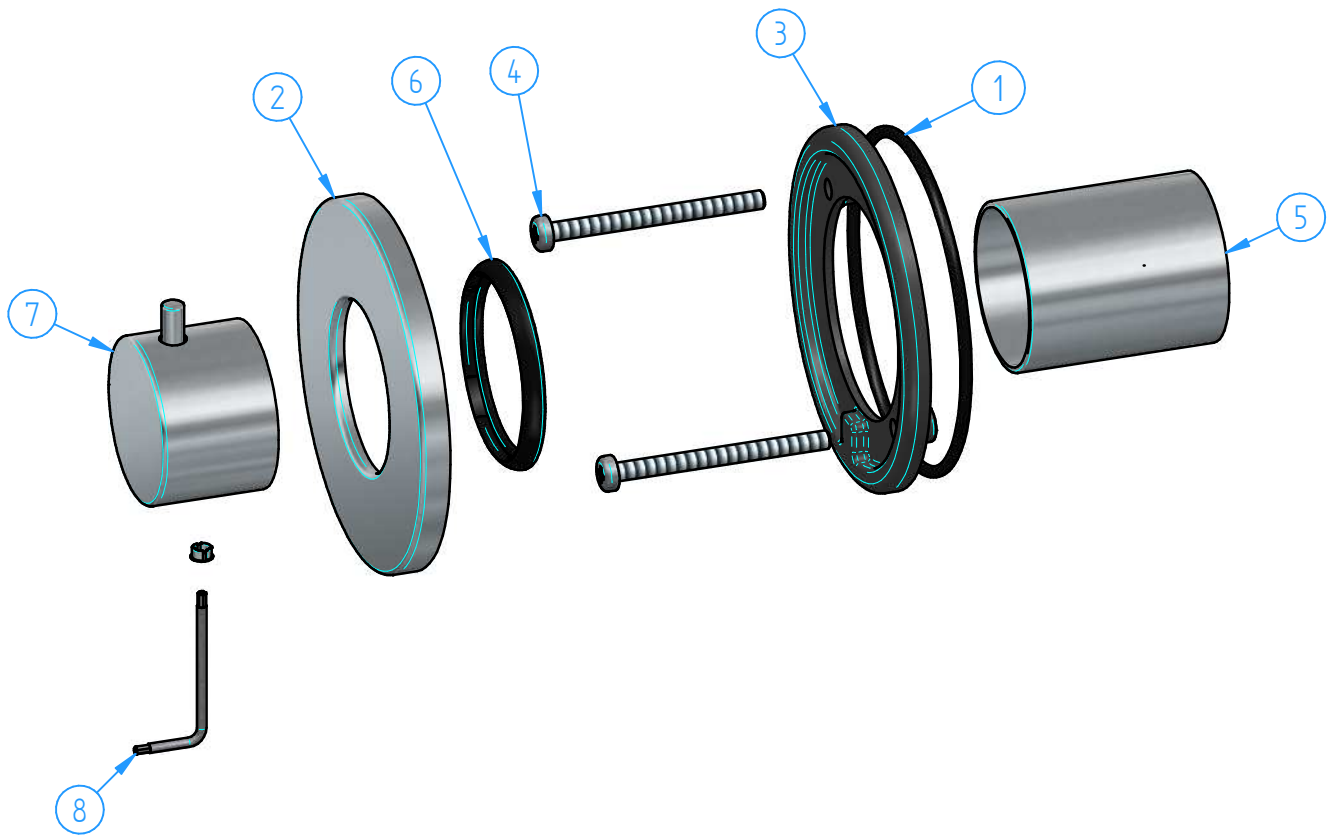


2	B010-001	Trim set for concealed tap B010N	1
1	B010-002	Concealed set for 010	1
ID Number	Code	Description	Pcs


		Sheet 1 of 1	
		Scale 1:2	
N°	REVIEW	Date	
Description		Material	
Concealed tap		Weight 0 kg	
Code B010-00	Date of issue 20/04/2017	Chamfers not quoted 0.5x45°	Finishing SM LU CR Grinding Polishing GN

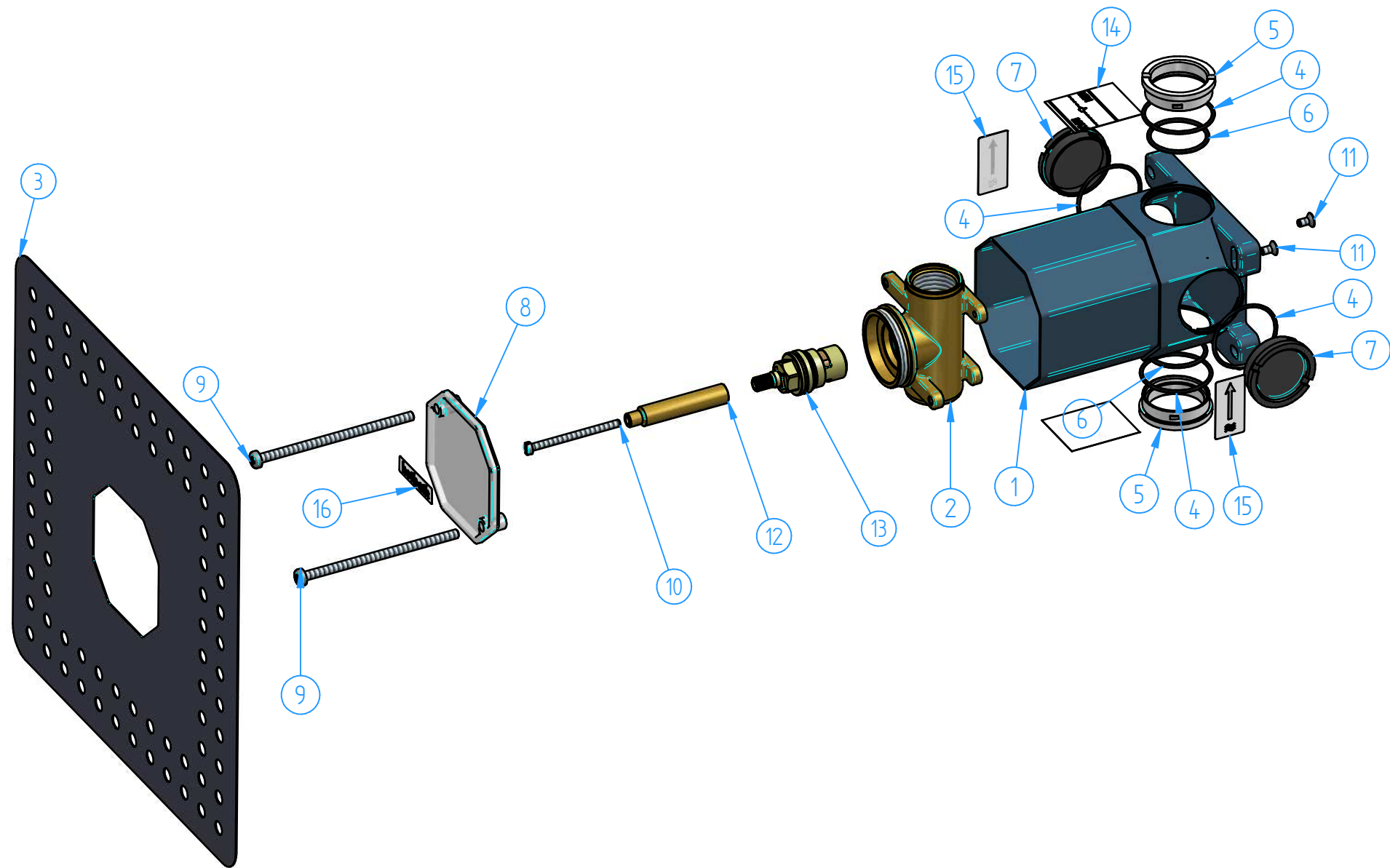


This drawing is property reserved of Hotbath Srl.
Without express authorization, the copying, distribution and utilization of this document as well as the communication to others is prohibited



8	B009-008	Handles kit	1
7	B009-007	Diverter handle	1
6	B009-31	Flange gasket	1
5	B009-27	Cover for diverter/tap	1
4	B009-19	Screw M5x60	2
3	B010-02	Sealing cover	1
2	B010-01	Flange	1
1	B010-03	O.ring	1
ID Number	Code	Description	Pcs

				Sheet	1 of 1
				Scale	1:2
N°	REVIEW			Date	
Description				Material	
Trim set for concealed tap B010N				Weight	
				0 kg	
Code B010-001		Date of issue	20/04/2017	Finishing	
		Chamfers not quoted	0.5x45°	SM Grinding	LU Polishing
				CR GN	
<p>This drawing is property reserved of Hotbath Srl. Without express authorization, the copying, distribution and utilization of this document as well as the communication to others is prohibited</p>					
				 <p>Italian bathroomware</p>	



16	B009-51	Logo label	1
15	B009-52	Arrow label	2
14	B009-50	Label for installation depth	2
13	B010-003	1/2" Ceramics headwork 90°	1
12	B009-08	Extension for diverter	1
11	B009-17	Screw M4x8	2
10	B009-18	Screw M4x55	1
9	B010-08	Screw M5x95	2
8	B010-06	Cover for concealed box	1
7	B009-15	Sealing plug	2
6	B009-22	O.ring	2
5	B009-12	Sealing insert white	2
4	B009-23	O.ring	4
3	B010-07	Wall gasket	1
2	B010-04	Concealed body tap	1
1	B010-05	Concealed box	1
ID Number	Code	Description	Pcs

		Sheet 1 of 1	
		Scale 1:3	
N°	REVIEW	Date	
Description		Material	
Concealed set for 010		Weight 0 kg	
Code B010-002	Date of issue 20/04/2017	Chamfers not quoted 0.5x45°	Finishing
		SM Grinding	LU Polishing
			CR GN
<small>This drawing is property reserved of Hotbath Srl. Without express authorization, the copying, distribution and utilization of this document as well as the communication to others is prohibited</small>			

