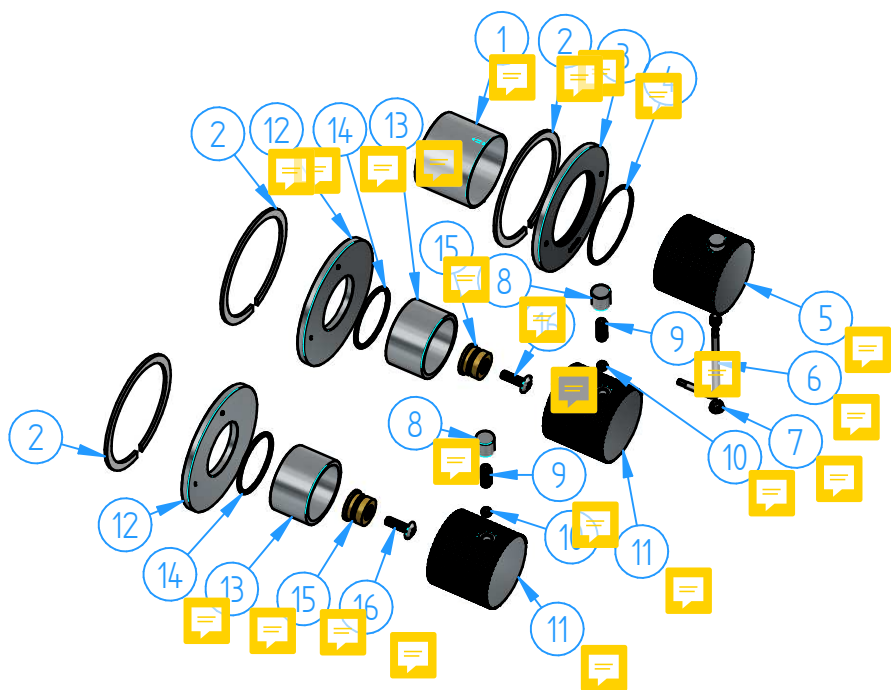
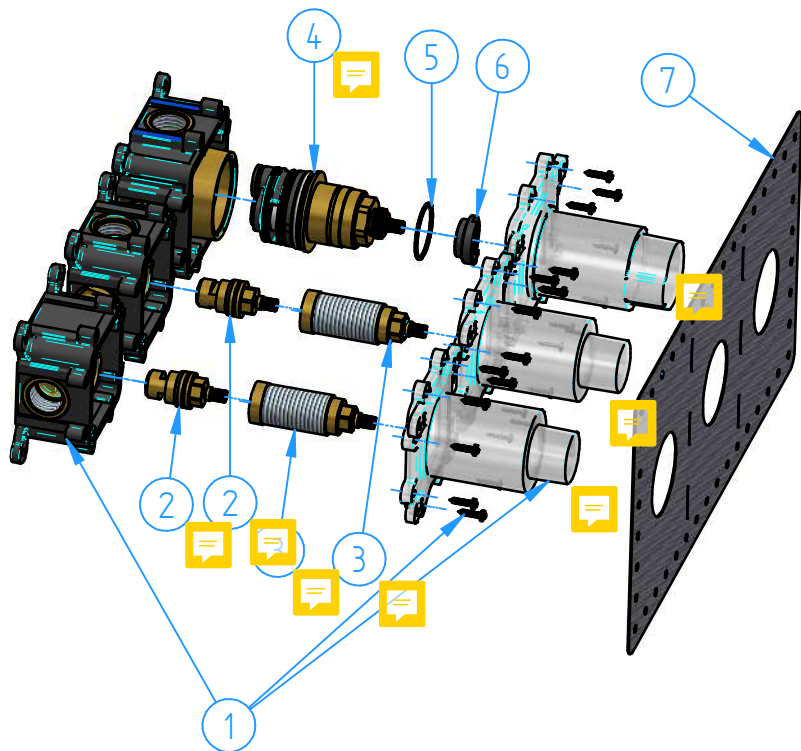


2	CX7066EXT-00	Trim parts for CX7066-CX7067	1
1	HBCB7067-00	Concealed set for CB7067	1
ID Number	Code	Description	Pcs



16	CB0768-10	Screw	2
15	CB0768-11	Adaptor	2
14	CB0768-06	O.ring 31.47x1.78	2
13	CB0768-07	Locking nut for wall flange	2
12	CB0768-02	Wall flange	2
11	CX7068-01	Knurled handle body	2
10	CB0768-03	Dowel M5x5	2
9	CB0768-05	Dowel M5x14	2
8	CB0768-04	Handle pin	2
7	CB7001-04	Cap	1
6	CB0768-08	Allen wrench 2,5 mm	1
5	CX7001-001	Thermomstatic knurled handle	1
4	CB7001-03	O.ring 40x2	1
3	CB7001-01	Wall flange	1
2	CB0768-09	Washer for flange	3
1	CB7001-02	Cover	1
ID Number	Code	Description	Pcs



7	HBCB7066-01	Wall gasket	1
6	HBCB7001-01	Stop ring	1
5	HBCB7001-02	O.ring 34.65x1.78	1
4	HBCB7001-001	Thermostatic cartridge (with stop valves and	1
3	HBCB7068-002	Extension for headwork	2
2	HBCB7068-003	Ceramic headwork	2
1	HBCB7066-001	Preassembled set for CB7066-CB7066	1
ID Number	Code	Description	Pcs

				Sheet 1 of 1	
N°	REVIEW	Date		Scale 1:4	
Description				Material	
Concealed thermostatic shower mixer, with 2 stop valves				Weight 0 kg	
Code CX7067-00	Date of issue 08/04/2020	Chamfers not quoted 0.5x45°		Finishing SM LU CR Grinding Polishing GN	hotbath italian bathroomware
<small>This drawing is property reserved of Hotbath Srl. Without express authorization, the copying, distribution and utilization of this document as well as the communication to others is prohibited.</small>					